



Butterfly valves for ventilation



PRODUCTOS
PLASTICOS
ANTICORROSIVOS



Butterfly valves for ventilation

The PPA VENT butterfly valves regulate the air flow in ventilation ducts, being fabricated corrosion resistant materials which allow its use in ventilation systems handling gases and aggressive fluids.

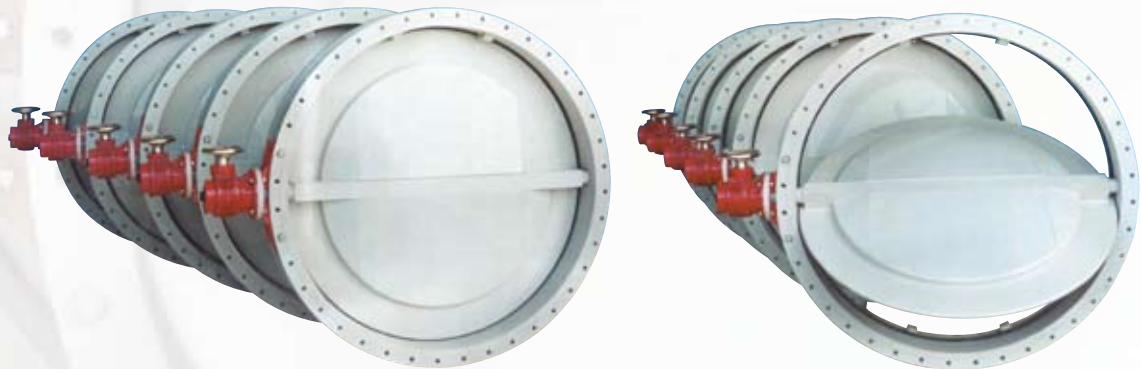
There are two types of butterfly valves depending on its performance:

- **Hand operated valves:** Depending on its size, these valves may be supplied provided with lever adjustment with five positions or a gear wheel. Likewise, they may be fitted with limit switches that identify its position in a control panel.
- **Actuated valves.** Two types of actuators may be fitted onto the valves: electric or pneumatic. They are adaptable to any actuator existing on the market.

The butterfly valves may be supplied with flanges or grafted onto ventilation ducts.

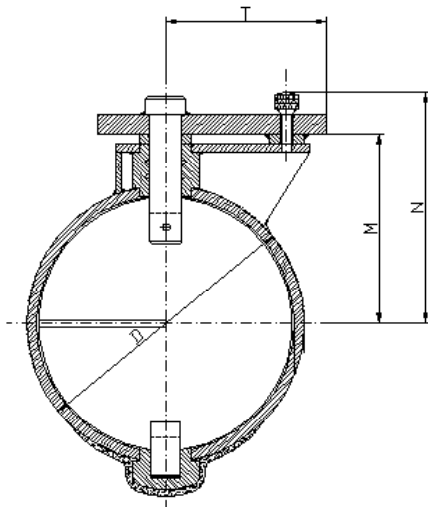
Advantages

- Highly resistant to corrosion.
- No drips or leaks in its connection with other system components.
- Very high degree of air or water tight integrity.
- Reduced weight.
- Low maintenance during its service life.
- Minimum number of moving parts.
- Excellent durability.
- Made to order, available in any size and adaptable to any need.



Gas regulating valves (butterfly).

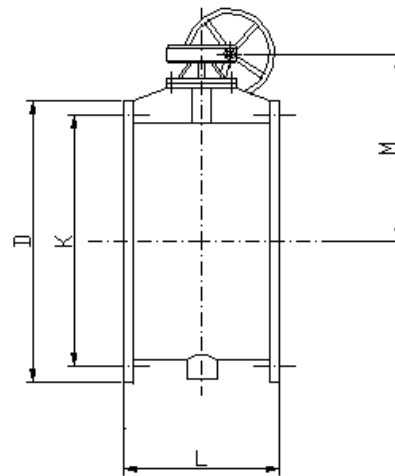
MANUAL OPERATION BY LEVER



DN	D	T	M	N
50	63	70	58,5	78,5
65	75	70	64,5	84,5
80	90	70	72	92
100	110	95	87	109
100	125	95	94,5	116,5
125	140	95	102	124
150	160	95	112	134
150	180	125	132	157
200	200	125	142	167
200	225	125	154,5	179,5
250	250	150	167	197
250	280	150	182	212
300	315	150	199,5	229,5
350	355	185	219,5	249,5
400	400	185	242	272

Note: Standard valves may be supplied fitted with electric limit switches.

MECHANICAL OPERATION



DN	D	K	L	M
400	500	460	200	360
450	550	510	250	385
500	600	560	250	410
550	650	610	300	335
600	700	660	300	460
700	800	760	350	535
800	900	860	400	585
900	1000	960	450	635
1000	1100	1060	500	685

Note: Standard valves may be supplied fitted with electric or pneumatic actuators.

Materials

PVC	FVRP
PVC-C	FVRV
PP	PVC + FVRP
PP-S	PP + FVRP
PED	PVDF + FVRV
PVDF	

Joints

EPDM / CSM / FPM





www.grupoppa.es



www.ppa.es



www.ppakrah.com



www.ppamaritime.com



www.ppaalgerie.com



www.ppaperu.com