



Compact active
carbon equipment
for environmental
deodorizations



PRODUCTOS
PLASTICOS
ANTICORROSIVOS

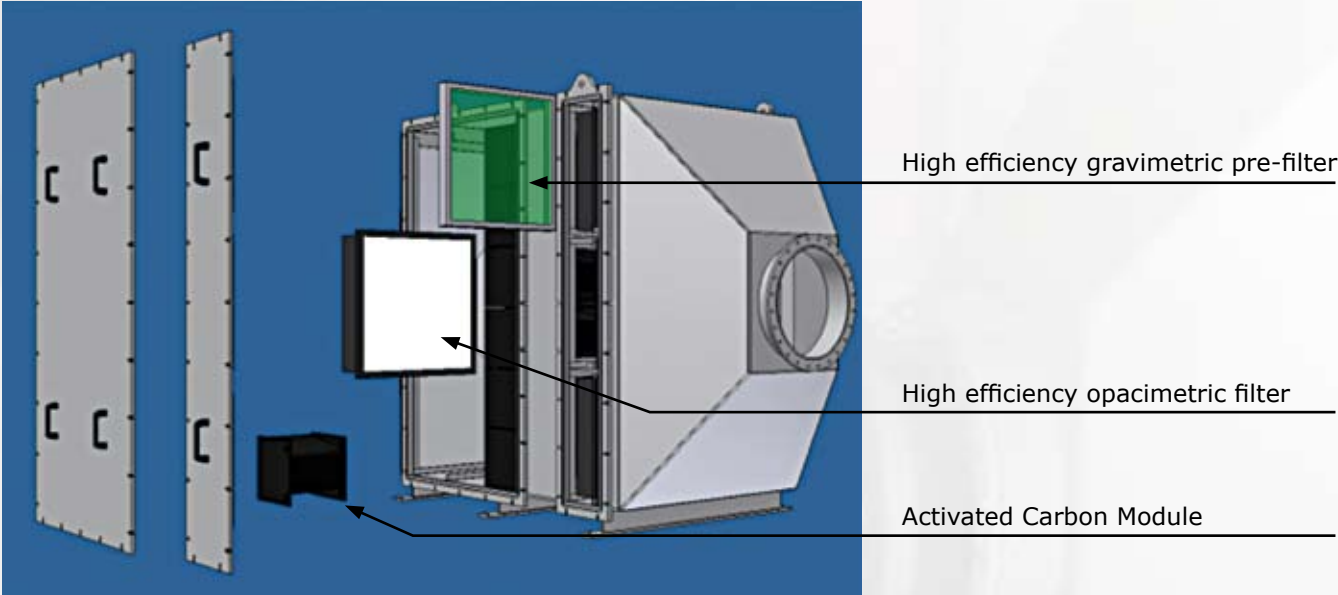


Compact active carbon equipment for environmental deodorizations

The ECA PPA VENT (compact active carbon equipment) ensures a smaller load drop and greater energy efficiency as compared to other market solutions. For greater durability of the active carbon, the device has filters, pre-filters and electric heaters to ensure maximum efficiency in the deodorization.

The design of the ECA PPA VENT equipment with active carbon modules, facilitates maintenance, allowing its easy manual extraction. In this equipment, the substitution of the modules by those already regenerated modules is quick, minimizing operational down times of the plant.

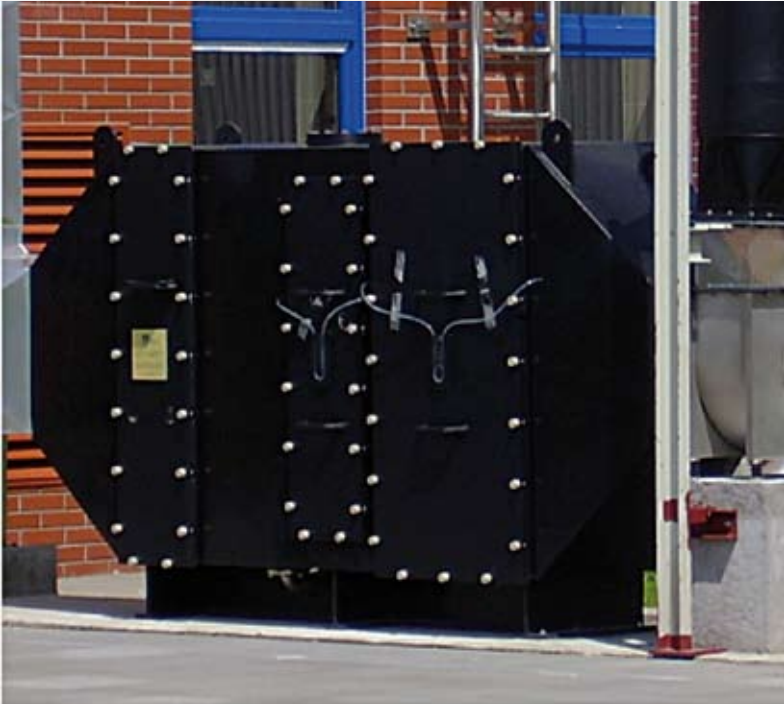
Depending on the odours to be treated, one, two or more stages of active carbon are inserted, which ensures optimum efficiency of the deodorization process.



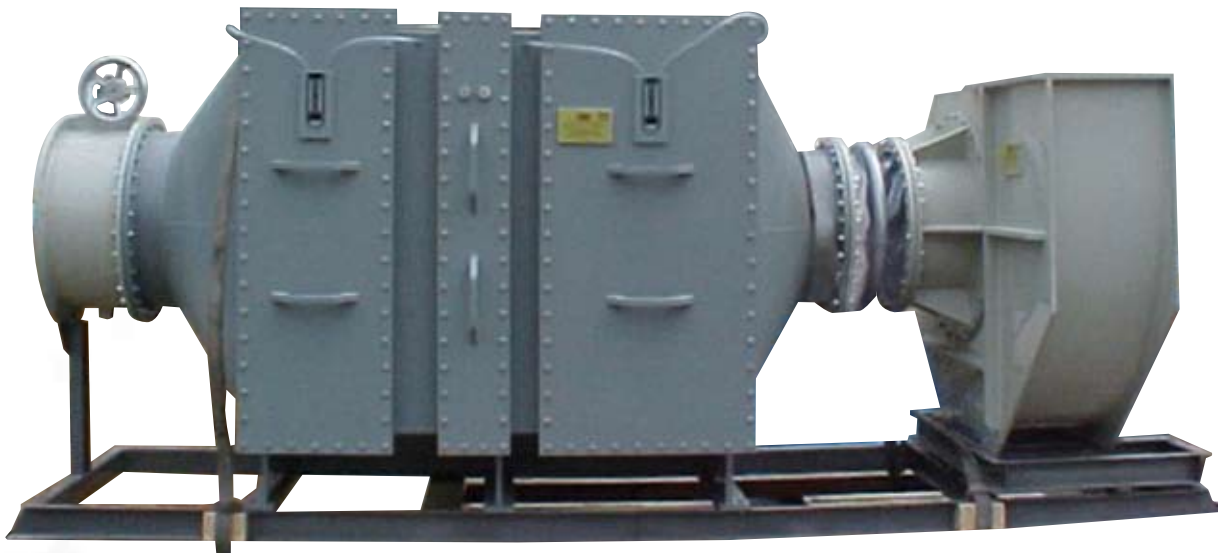
Compact Active Carbon Equipment.



Deodorization by Compact Active Carbon Equipment with dual stage, Q=9,200 m³/h.



Compact Active Carbon Equipment lagged, at temperatures below -10°C, Q=11,000 m³/h.



Deodorization Plant by Compact Active Carbon Equipment with heating stage, $Q=12,380 \text{ m}^3/\text{h}$.

ECA PPA VENT Advantages

- The active carbon's efficiency is very high, with its high efficiency air filters, which prevents the clogging of the active carbon with the dust particulates.
- Easy to assemble compact equipment.
- Smaller size.
- The configuration of the modules means that the active carbon hardly compacts over the passage of time; therefore, its load loss barely increases, reducing energy consumption.
- Equipment suitable for any contaminant.
- Use of the ECAs, avoids the danger implied in the regeneration of active carbon with the handling of chemical substances (sodium oxide).
- No need for qualified personnel to carry out maintenance of the internal components and equipment.
- The ECA's internal components (active carbon, pre-filter and filters) are very easy to replace and maintain. These internal components are replaced manually, in a short space of time, releasing the quick-release fasteners on the manhole covers. Shut down periods shorter than one hour.



Table: Active Carbon Equipment Flow Ranges.

FROM FLOW (m ³ /h)	UP TO FLOW (m ³ /h)	ECA MODEL	APPROXIMATE GROSS DIMENSIONS (mm)
-	1600	PF-1-4-2+1	2800 x 650 x 750
1600	3200	PF-2-8-2+1	2700 x 1450 x 750
3200	4800	PF-3-12-2+1	2700 x 2000 x 750
4800	6400	PF-4-16-2+1	2900 x 1450 x 1400
6400	9600	PF-6-24-2+1	2400 x 2000 x 1400
9600	12800	PF-8-32-2+1	3200 x 2700 x 1380
12800	14400	PF-9-36-2+1	2400 x 2000 x 2000
14400	19200	PF-12-48-2+1	3200 x 2700 x 1980
19200	25600	PF-16-64-2+1	3600 x 2600 x 2600
25600	32000	PF-20-80-2+1	4200 x 3100 x 2800
32000	40000	PF-25-100-2+1	4500 x 3100 x 3100



www.grupoppa.es



www.ppa.es



www.ppakrah.com



www.ppamaritime.com



www.ppaalgerie.com



www.ppaperu.com