



Tubular Silencers for ventilation



PRODUCTOS
PLASTICOS
ANTICORROSIVOS



Tubular Silencers for ventilation

The PPA VENT tubular silencers are designed to be assembled onto industrial installations in corrosive environments. Its design achieves a high degree of noise attenuation at low frequencies with minimum loss loads. This helps ensure that the PPA ventilation systems have a noise level below that required by current regulations.

Constructed entirely out of corrosion resistant plastic materials, thus allowing its use in harsh environments and are suitable for ventilation systems that convey corrosive fluids.

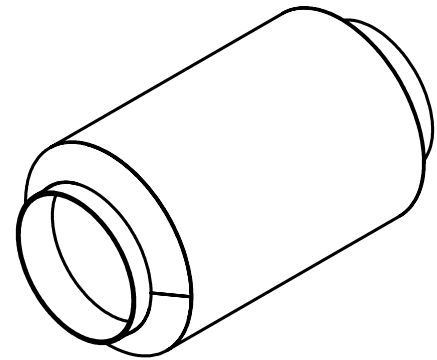
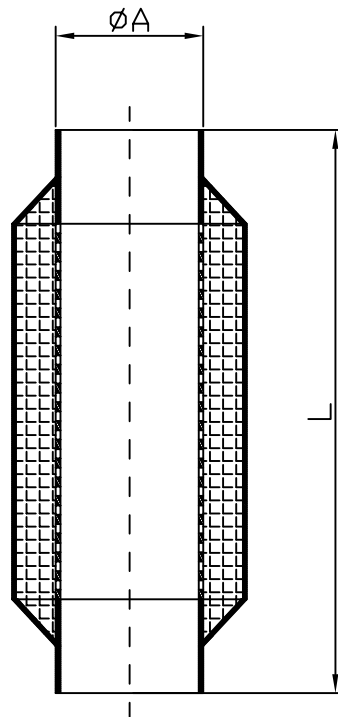


Installation examples: vertical and horizontal.

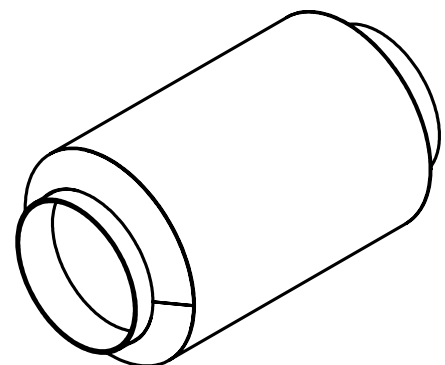
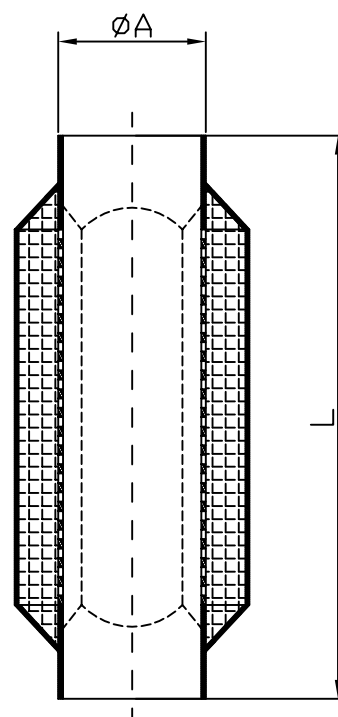
Advantages

- High degree of attenuation of the plant's noise level.
- Ease of installation. As it is lightweight it does not require specific support structures.
- Manufactured 100% in corrosion resistant plastic materials. Ensures a long service life.
- Excellent durability.
- Adaptable to any existing pipe on the market.

Coreless Tubular silencer	
A	L
Ø 200	1050
Ø 225	1100
Ø 250	1100
Ø 315	1200
Ø 400	1300
Ø 450	1400
Ø 500	1700
Ø 560	1700
Ø 630	1800
Ø 710	1800
Ø 800	1800
Ø 900	2000
Ø 1000	2000



Tubular silencer with core	
A	L
Ø 200	900
Ø 225	1000
Ø 250	1000
Ø 315	1100
Ø 400	1150
Ø 450	1200
Ø 500	1400
Ø 560	1450
Ø 630	1450
Ø 710	1450
Ø 800	1450
Ø 900	1600
Ø 1000	1600





www.grupoppa.es



www.ppa.es



www.ppakrah.com



www.ppamaritime.com



www.ppaalgerie.com



www.ppaperu.com